

ITPC-B121-CF2

12.1inch Capacitive Touch Panel PC



Features

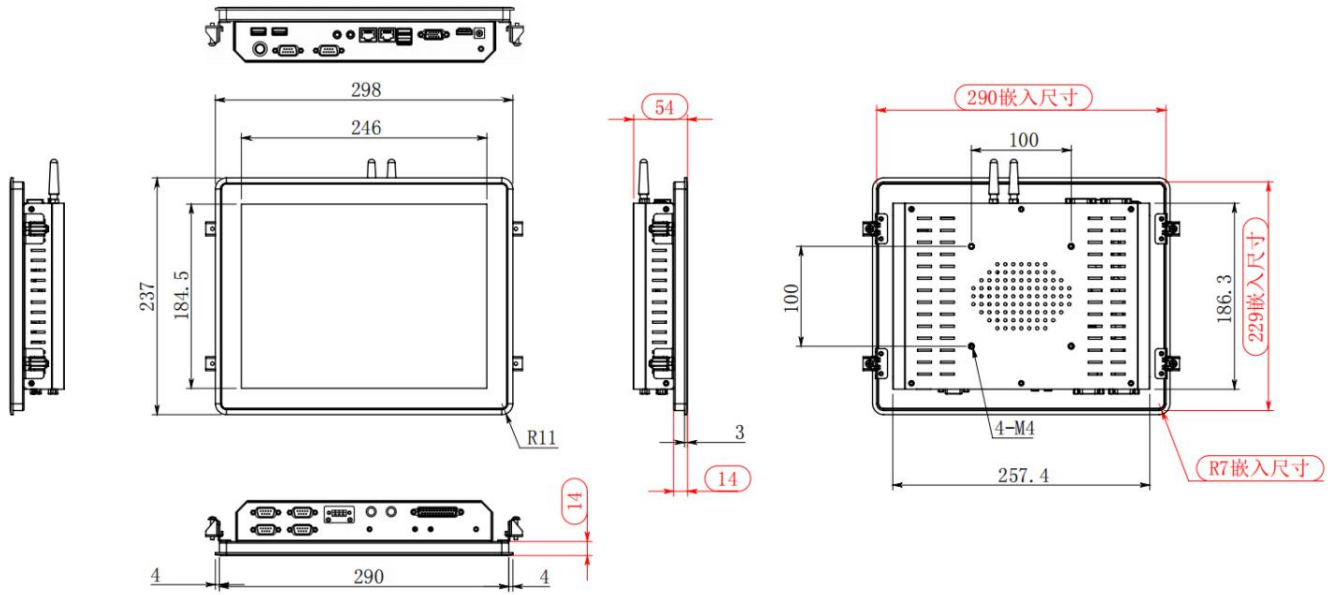
- ◇ Support Intel Celeron J1900/J6412/Core i3/i5/i7 CPU;
- ◇ Full fit high-definition LCD screen, multi-point capacitive touch screen;
- ◇ Support 1 MSATA/M.2 slot; 1 MINI PCIE/M.2 WiFi/4G slot
- ◇ Optional 6 COM ports; (One optional RS232/485)
- ◇ Support embedded, desktop, wall mounted, VESA
- ◇ Full plane front panel, IP65 protection level;
- ◇ OS:



Specification

| | |
|-----------------|---|
| Model | ITPC-B121-CF2 |
| Color | Gray |
| Material | Aluminum Alloy + Steel Plate |
| Processor | Intel Celeron J1900/J6412 4/5th gen Intel Core i5/i7 (the specific model is subject to shipment) 6/8/10/11th gen Intel Core i3/i5/i7 (the specific model is subject to shipment) |
| Chipset | Intel CPU Integrated Chip |
| Memory | J1900: 1 DDR3L 1333/1600 Ram slot, Max. 8GB J6412: 1 DDR4 3200 Ram slot, Max. 16GB 4/5th gen i5/i7: support 2 DDR3L 1333/1600 Ram slot, Max. 16G 6/8/10/11th gen i3/i5/i7: support 2 DDR4 Ram slot, Max. 32G |
| BIOS | AMI UEFI BIOS |
| Display chip | Intel Graphics |
| Display Play | 1*VGA, 1*HDMI, 1*LVDS; (Support Synchronous/Asynchronous Dual Display) |
| storage | 1*MSATA/M.2 slot (According To The Selected Motherboard) |
| Expansion Slots | 1*MINI PCIE/M.2 slot, (support WIFI/4G, J6412 motherboard doesn't support 4G) |
| I/O Port | 1 power switch, 1 DC, 1 HDMI, 1 VGA, 2 USB 3.0, 2 USB 2.0, 2 Gigabit Ethernet, 1 Mic, 1 Line Out, 2 COM (one of Support RS232/485) |
| LCD | Size: 12.1inch TFT-LCD; Ratio:4:3; Resolution: 1024 * 768; Brightness: 500 cd/m ² ; |
| Touch screen | Multi point capacitive touch screen, with a lifespan of over 50 million times; Adopting full lamination technology for lamination with LCD screen; |
| Speaker | 2*8Ω2W Speaker {Custom wide pressure Only have 1*speaker} |
| input voltage | DC 12V (customizable 9-36V) |
| Work Temp | Temperature :0℃ ~ +50℃, surface air flow; Humidity: 5% ~ 95% non-condensing state |
| Dimension | 298 * 237 * 54 mm |
| Weight | 2.2kg |
| Application | Industrial automation, medical, logistics, transportation, warehousing, e-education etc |
| Warranty Policy | 1 year |

IIPC-B121-CF2 产品尺寸图



Parts list

| Name | Quantity | Note |
|--|----------|-------------------------------|
| Power adapter | 1 | Optional 12V 5A |
| Power cord | 1 | Optional CN、US、UK,etc |
| Certificate of conformity | 1 | Yanling/Neutral |
| Warranty card | 1 | Yanling/Neutral |
| Embedded mounting buckle | 4 | Install the buckle and screws |
| Desktop, wall-mounted, three-dimensional support | 1 | Optional accessories |

订购信息

| Config | Processor | Standard I/O | Internal expansion | Note |
|--------|----------------------------|---|---|--|
| ① | Intel Celeron J1900 | LAN*2/USB*4/COM 口*2/VGA*1/ DC-IN*1/ HDMI*1/Audio*2 | 1*DDR3L/8G Max/1*mSATA/ 1*minni_PCIE wifi/(4G/5G) 二选一 | Please contact our sales staff for details |
| ② | Intel Celeron J6412 | LAN*2/USB*4/COM 口*2/VGA*1/ DC-IN*1/ HDMI*1/Audio*2 | 1*DDR4/16G Max/1*M.2 KeyB(SATA 协议) 1*M.2 KeyA/不支持 4G、5G | |
| ③ | 4/5 代 Intel Core i5/i7 | LAN*2/USB*4/COM 口*2/VGA*1/ DC-IN*1/ HDMI*1/Audio*2 | 2*DDR3L/16G Max/1*mSATA/ 1*minni_PCIE wifi/(4G/5G) 二选一 | |
| ④ | 6 代 Intel Core i3/i5/i7 | LAN*2/USB*4/COM 口*2/VGA*1/ DC-IN*1/ HDMI*1/Audio*2 | 2*DDR4/32G Max/1*M.2 NVME/ 1*minni_PCIE wifi/(4G/5G) 二选一 | |
| ⑤ | 8/10 代 Intel Core i3/i5/i7 | LAN*2/USB*4/COM 口*2/VGA*1/ DC-IN*1/ HDMI*1/Audio*2 | 2*DDR4/32G Max/1*M.2 NVME/ 1*M.2_WIFI/1*M.2(4G/5G) | |
| ⑥ | 11 代 Intel Core i3/i5/i7 | LAN*2/USB*4/COM 口*2/VGA*1/ DC-IN*1/ HDMI*1/Audio*2 | 2*DDR4/32G Max /1*M.2 NVME/ 1*M.2_WIFI/1*M.2(4G/5G) | |