

N3022

Intel® the 8th、10th Generation Core™ i3 i5 i7 Processor Mini PC



Features:

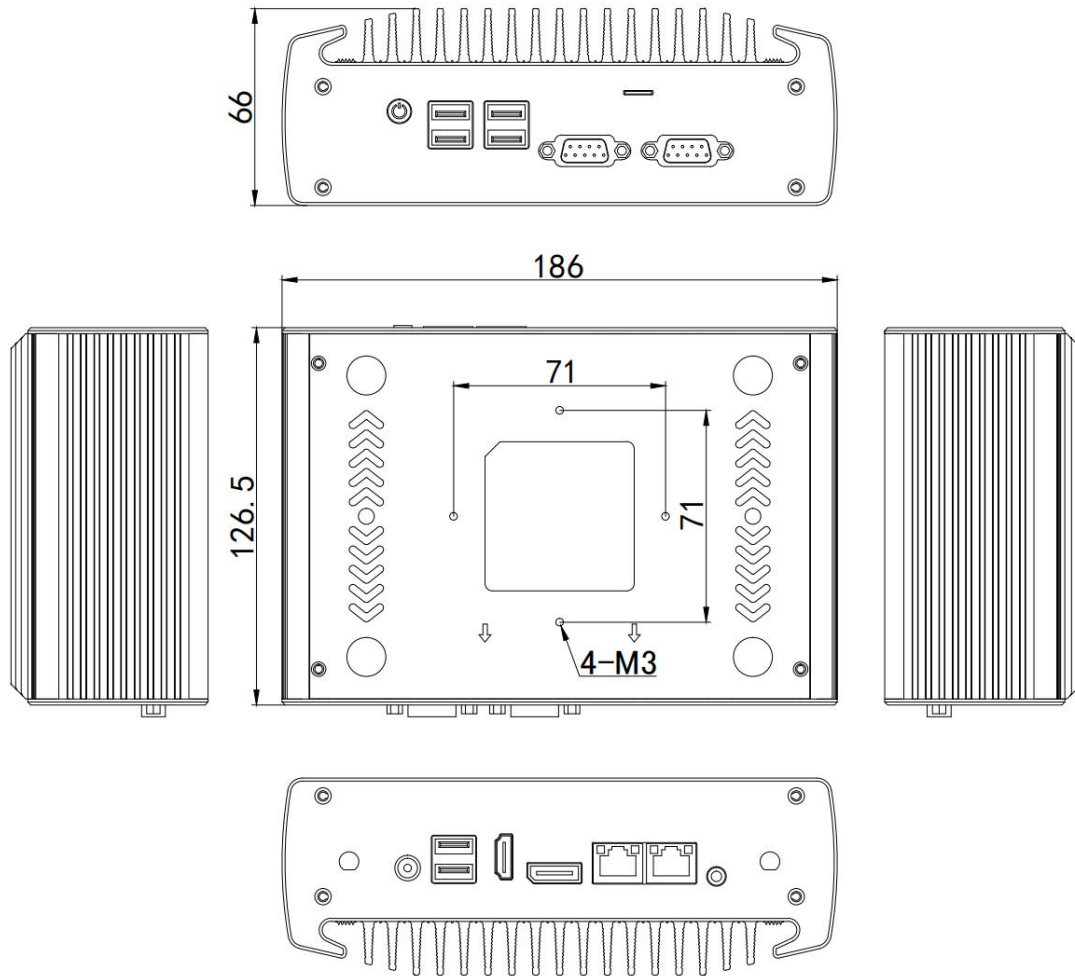
- ◇ All aluminum structure, fanless design;
- ◇ Onboard the 8th or 10th intelligent Intel® Core™ i3 i5 i7 processor;
- ◇ Support TPM2.0 security encryption, Support Windows 11;
- ◇ Support 1*DDR4 memory slot, Max. Support 32GB;
- ◇ Support 1*M.2 2280 slot, 1*2.5" HDD or HDD;
- ◇ Support 2*COM (COM1, COM2 RS232 or RS485 Mode Optional) ;
- ◇ Support DC 12V Input;
- ◇ Support OS:



Specification

Model	N3022
Color	Black (Color can be customized)
Material	High-quality all aluminum, surface anodic oxidation
Processor	Onboard Intel Core i3 10110U (Dual core quad threads, 2.1GHz, Max turbo 4.1GHz) Onboard Intel Core i5 8260U (Quad core eight threads, 1.6GHz, Max turbo 3.9GHz) Onboard Intel Core i5 10210U (Quad core eight threads, 1.6GHz, Max turbo 4.2GHz) Onboard Intel Core i7 10810U (Six core twelve threads, 1.1 GHz, Max turbo 4.9GHz)
RAM	Support 1*DDR4 2400/2666 SODIMM RAM Slot, Max. Support 32GB
BIOS	AMI EFI BIOS
Display Chip	Intel® UHD Graphics 620 (i5-8260U version); Intel® UHD Graphics for 10th Gen Intel® Processors
Display Port	1*DP, 1*HDMI
Front I/O	2*COM (COM1, COM2 RS232 or RS485 Mode Optional), 4*USB3.0, 1*Power Switch, 1*SIM Slot
Rear I/O	1*DC, 2*USB2.0, 1*HDMI, 1*DP, 2*Intel 1000M LAN 1*Audio (Support Mic and Speaker at the same time)
Expansion Slot	Support 1*M.2 2280 M-Key Slot (Support SATA protocol and NVME protocol) Support 1*MINI PCIE Slot (WIFI/3G/4G Optional), SIM Slot on front plate
Network	2*Intel i210-AT 1000M LAN or 2*Intel i225-V 2.5G LAN Optional (For more details, please check the order information, thanks)
Storage	Support 1*M.2 2280 Slot, 1*2.5" HDD or SSD, Support RAID 0/1
Power Supply	Support DC 12V Input
Other Function	Auto power on when there is electricity, Timing boot, Wake On LAN, PXE boot, Watchdog (0~255 level), TPM2.0 security encryption
Work Temp	0°C ~ +40°C (Commercial HDD), -20°C ~ +50°C (Industrial SSD), Surface air flow
Work Humidity	5% ~ 95% non-condensing
Dimension	186*126.5*66MM
Net Weight	1.3KG
Application	Business Office, HD Video Playback, Electronic Education, Industrial Automation etc.

N3022 Drawing



Accessories List

Name	Quantity	Specification
Power Adapter	1	i3 and i5 version use 12V5A i7 version use 12V7.5A
Power Cord	1	Any Plug Optional (China, US, EU, UK etc.)
CD Driver	1	Neutral
VESA Bracket	1	Standard

Order Information

Configuration 1		Intel Core i3 10110U Intel i210-AT	Standard Port/1000M LAN
Configuration 2		Intel Core i5 10210U Intel i210-AT	Standard Port/1000M LAN
Configuration 3	N3022	Intel Core i5 8260U Intel i210-AT	Standard Port/1000M LAN
Configuration 4		Intel Core i5 8260U Intel i225-V	Standard Port/2.5G LAN
Configuration 5		Intel Core i7 10810U Intel i225-V	Standard Port/2.5G LAN